

Accessories and spare parts for DENTO-PREP™

Quick connection to the turbine coupling



Connector S for Sirona
Item no. 1935



Connector B for Bien Air
Item no. 1938



Connector W for W&H
Item no. 1936



Connector N for NSK
Item no. 1939



Connector K for KaVo
Item no. 1937



Connection to the turbine hose



Connector MidWest
Item no. 1930



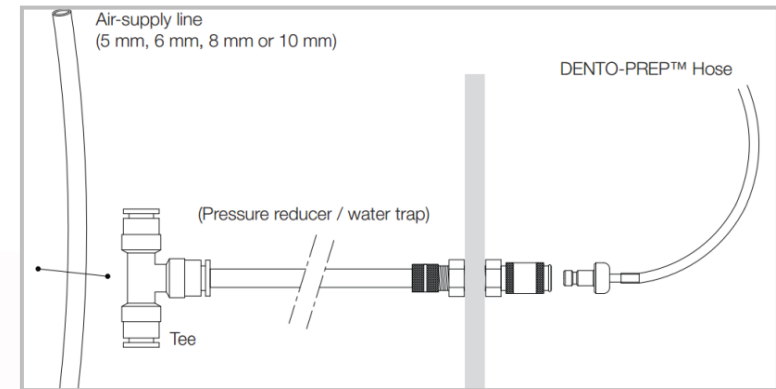
Male connector inserted into Connector MidWest & Installation Kit
Item no. HF20220D2



Connection directly to the compressed air supply



Installation Kit for hose diameter:
6mm -> item no. 1926
8mm -> item no. 1928
10mm -> item no. 1929



Accessories and spare parts for DENTO-PREP™

Pipe stub for DENTO-PREP
(rear part)
Item no. HF20150D2



Quick Disconnect Coupling
Item no. RV5000



Hose (per 1m)
Item no. HF20310U1



Quick Disconnect Coupling + 3m hose
Item no. HF20320A1



Spray Tip (hard metal)
Item no. HF20045M1



Powder Jar
Item no. HF20190U1



DENTO-PREP Stand
Item no. 1950



Lid for Powder Jar
Item no. HF20185G1

