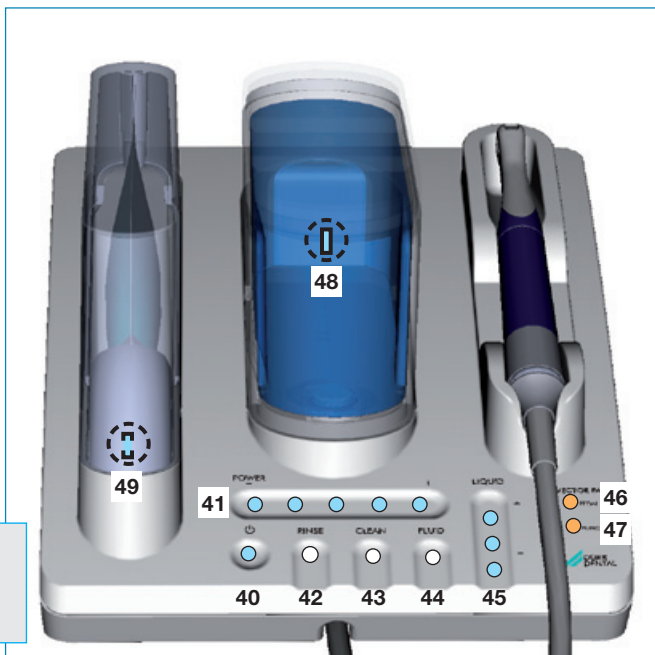


# Vector Paro and Vector Scaler

## Short instructions



- LED off
- LED lights
- ☀ LED blinks

### 40 ON / Standby

When switching on or off, press the key for at least 2 seconds.

- **Standby**, unit off
- **ON**, unit on

When the unit detects no function for a period of 30 minutes, the unit is automatically switched to off / Standby.

### 41 POWER (set performance)

- 1 - 5 LEDs light - depending on the performance set (5 LEDs = max. performance)

**Tip:** the performance can also be adjusted during treatment

### 42 RINSE (rinse/disinfection)

- ☀ Press the key for at least 2 seconds blue LED blinks - Rinse process begins



#### **NOTICE** Danger of blockage

- After every treatment involving Vector Fluid Polish, rinse thoroughly with water (RINSE).

### 43 CLEAN

- After ca. 30 operating hours the LED is constantly lit - start cleaning operation.

- ☀ Start Clean process. press the key for at least 2 seconds. blue LED blinks - Clean process begins

**Recommendation:** clean every four weeks or, at the latest, as soon as the LED stays constantly lit.

### 44 / 49 FLUID

- Switch fluid on / off  
Touch the fluid key (44) for a minimum of 1 seconds.  
During fluid transport the LED (49) in the piercing mechanism lights.
- ☀ Fluid pretransported to the handpiece  
Touch the key (44) for a minimum of 2 seconds.  
Blue LED blinks simultaneously with LED (49) in the piercing mechanism .

### 45 LIQUID

- Display is only active when the Scaler handpiece is inserted  
1 LED lights = minimum fluid consumption: 30 ml / minute  
3 LED light = maximum fluid consumption: 45 ml / minute

### 46 PEDAL (Flex-foot switch)

- **Orange LED lights**  
Battery performance of Flex-foot switch low. Change the batteries.
- ☀ **Orange LED blinks**  
The Flex foot pedal has not been allocated or connected

### 47 FUNCTION

- **Orange LED lights**  
Treatment has been interrupted. Clean the instrument chuck using air / water spray until it is dry and then resume treatment.
- ☀ **Orange LED blinks**  
Resonance of the instrument impeded in some way.
  - When there is too much pressing force of the instrument during treatment, reduce the pressing force.
  - Check the instrument for signs of wear or bending.
  - Clean and dry the Paro handpiece instrument chuck and resonant ring using the air and water sprays.

### 48 LED in fluid container

- ▮ Normal operation, fluid container full
- ▮ Minimum fluid level  
When the minimum fluid level in the fluid containers is reached the lighting begins to blink and a warning signal "Minimum fluid level" can be heard three times



#### **WARNING**

##### **Danger of crosscontamination**

- Before each patient treatment each part must be prepared, see 13. Decontamination process in Installations- and Operating Instructions Vector Paro. Order no. 9000-615-28/..

#### **NOTICE**

##### **Accidental splashing of chemicals into oral cavity**

- Vector cleaner irritating to skin. Rinse thoroughly with water after coming into contact with cleaner.
- Do not interrupt the clean or rinse processes.



##### **Paro handpiece** in position:

Power settings possible  
Liquid settings not possible

##### **Scaler handpiece** in position:

Power and liquid settings possible

##### **No handpiece** in position:

The settings cannot be changed. The LEDs are only active and light up when the handpiece is in position correctly.

The last settings in connection with the handpiece in position remain active after switching off and then on again.

The clean and rinse processes can be broken off by touching the appropriate key again.

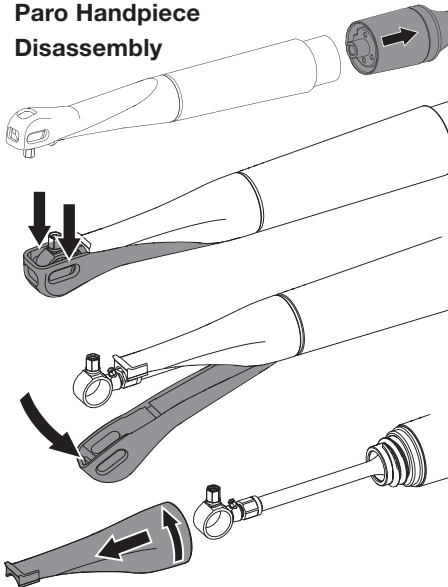
## Acoustic signals

Audible signal	Cause / Situation
• Clicking noise	• Touching operating panel
• Long, low audible signal	• A function has been activated, e.g. RINSE, CLEAN, FLUID
• Warning signal, 3 x high audible signal	• Function selected cannot be carried out.
	• Fluid level at minimum
	• Waiting for fluid during the cleaning process

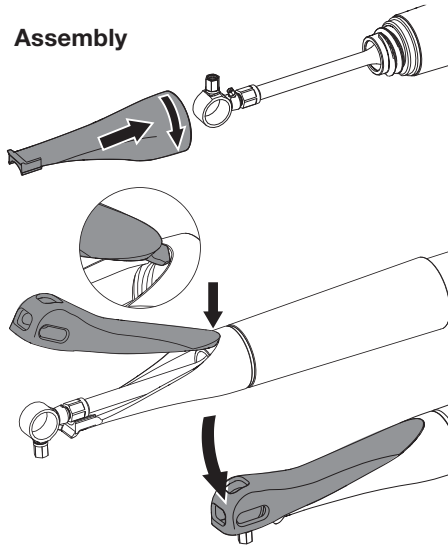
# Paro Handpiece



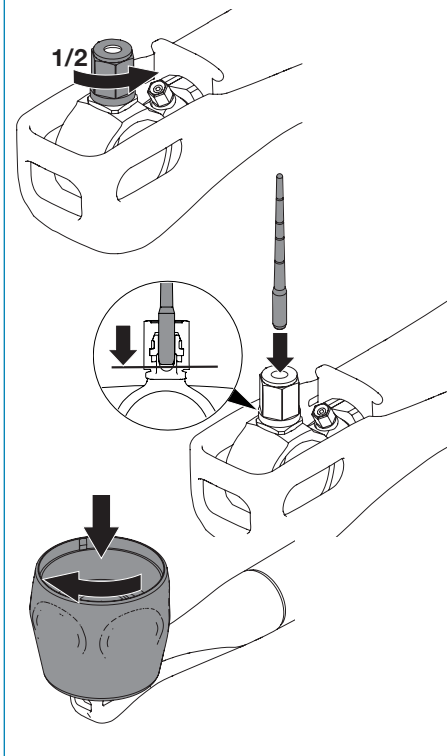
## Paro Handpiece Disassembly



## Assembly



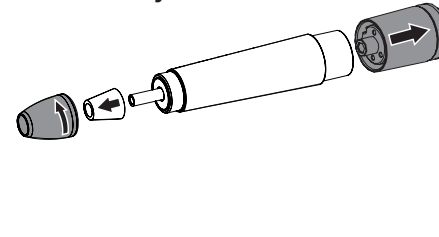
## Insert Paro Instrument or change



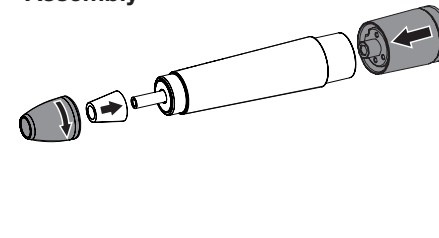
# Scaler Handpiece



## Scaler Handpiece Disassembly



## Assembly



## Insert Scaler Instrument or change

