

VistaCam iX Proof

Quick guide



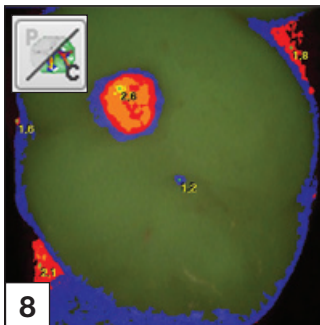
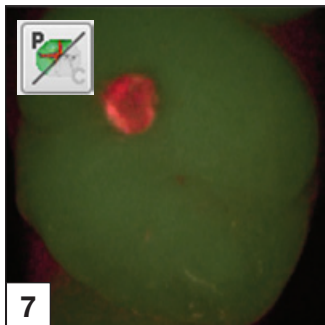
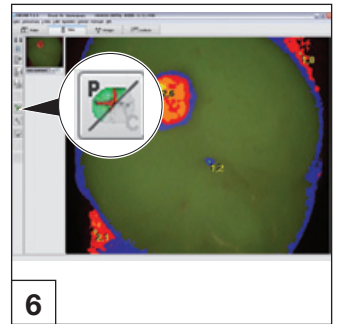
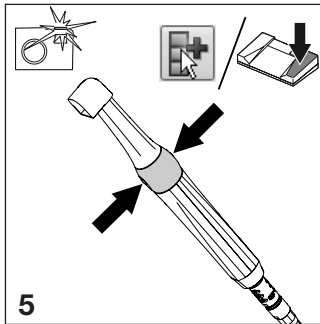
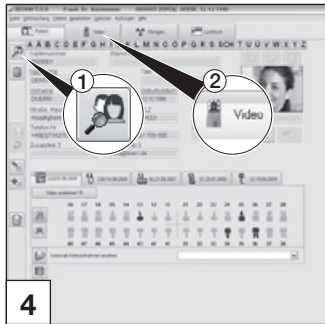
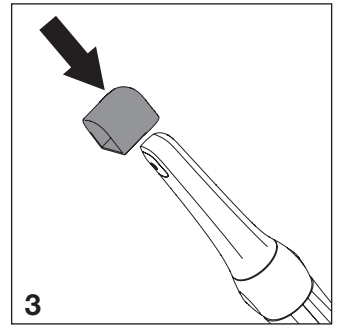
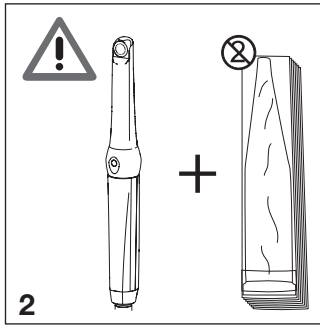
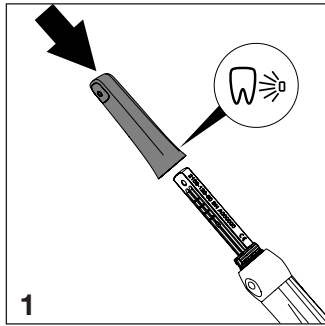
9000-618-178/..








Caries view:
Carry out teeth cleaning.



Prophylaxis view:
Don't carry out teeth cleaning.



Caries view evaluation

| | | |
|---|-----|---|
|  | 1.0 | Healthy tooth enamel |
|  | 1.5 | Early-stage caries, early-stage enamel caries |
|  | 2.0 | Enamel caries up to enamel/dentine border |
|  | 2.5 | Dentine border already passed |
|  | | Deep dentine caries |

