

VistaCam iX Poly

Short instruction



9000-618-201



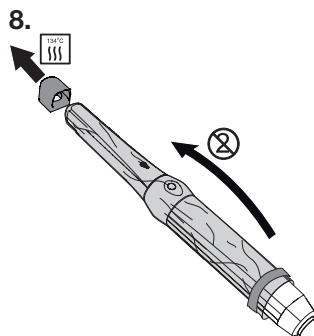
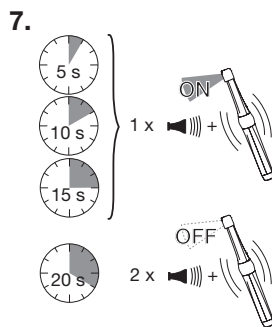
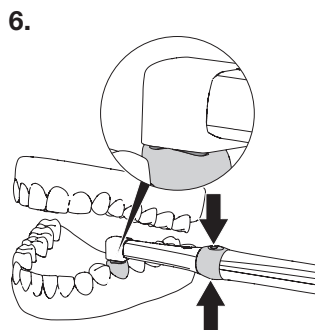
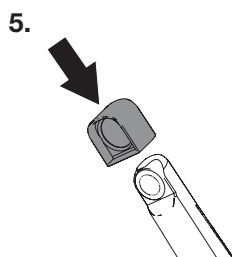
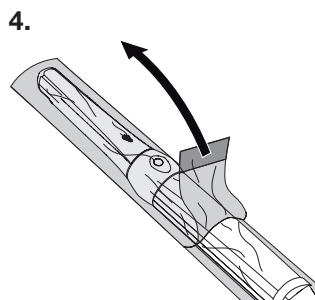
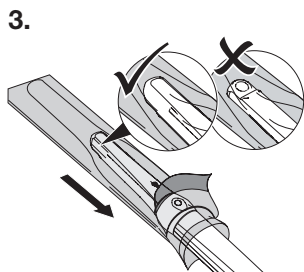
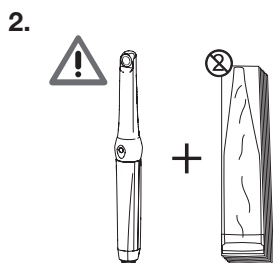
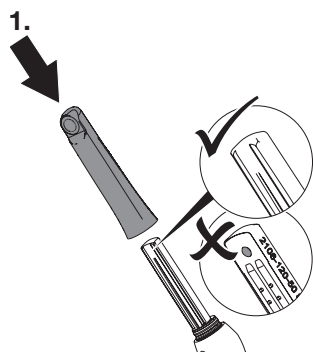
CAUTION

Risk group 2: The light emitted may be harmful to the eyes

- Do not look into the lamp.
- Wear polymerisation eye protection that absorbs UV and blue light.



Only use dental material which can be hardened by light at a wavelength of $460 \pm 10 \text{ nm}$.
Observe any information concerning the dental materials employed.



DÜRR DENTAL SE

Höpfheimer Str. 17
74321 Bietigheim-Bissingen

9000-618-202/01

