

# IT'S TIME FOR RELIABLE INTRAORAL IMAGING



**X MIND**  
The easy and smart  
intraoral X-ray system  
for high quality  
requirements

**ACTEON**

# PRECISE & EFFICIENT IMAGING

## RELIABLE, CONSISTENT QUALITY, AND LONG LASTING HIGH PERFORMANCE

With the X-Mind® DC intraoral X-ray system, safe exposure levels and high quality images are guaranteed!

Operating at **high frequency**, it facilitates the emission of **very high quality radiation** whenever it is used.

This is made by the “double chamber” where the tube and the electronic components are separated.

The control software automatically compensates for variations in main voltages and **the radiation emitted is always of the highest quality** to provide pictures with reproducible parameters.

## CLINICAL CASE WITH DIGITAL SENSORS\*

### 1. INITIAL SITUATION

Secondary caries on 46



### 2. ROOT CANAL TREATMENT

File inside the tooth



Filling with gutta-percha

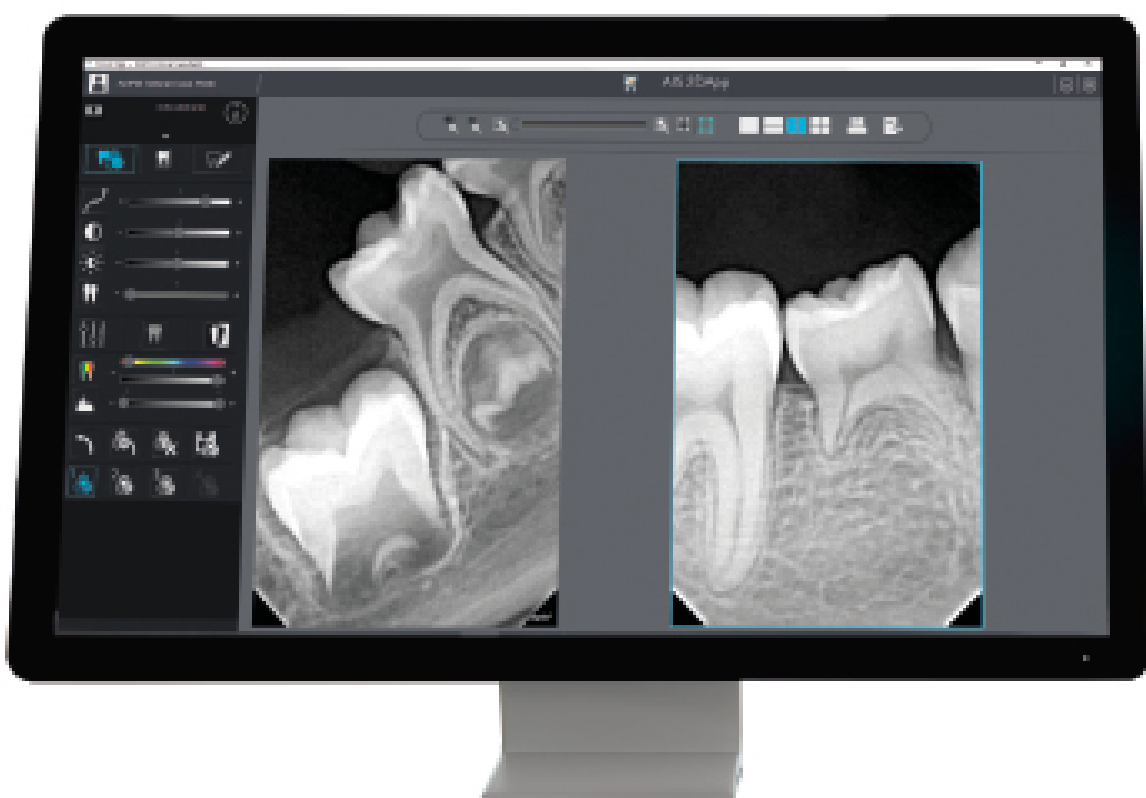


\* Images from SOPIX Series sensors - ACTEON

# NATURALLY PROTECTIVE

## CONTROLLED DOSAGE FOR MAXIMUM PROTECTION!

The exposure time control pre-set by the microprocessor ensures a controlled dose for a better protection of you and your collaborators. Exposure times are reduced with the use of digital intraoral X-ray systems.



# FLEXIBLE & SECURE EQUIPMENT

## USER FRIENDLY

### WORK MORE EFFICIENTLY WITH THE EASY TO USE INTRAORAL X-RAY SYSTEM

Improve your workflow with clearly organized **dedicated pre-programming keys**. With the push of a button, you control:

- The parameters: 60 or 70 kV and 4 or 8 mA
- The types of sensors: traditional film or digital
- The patient morphology
- The exposure time according to the type of tooth

The exposure times can be **customized and programmed** to adapt to your clinical needs.

### 2 HEADS, 1 TIMER!

With 1 timer, you can control two AC or DC X-Mind model with their specific commands options.

*(Technology patented by ACTEON)*



# EASILY POSITIONABLE

The X-Mind range is extremely easy to handle, providing **exceptional flexibility** of use and **accurate positioning**. Smooth movements streamline your workflow!



## THE HIGHEST STANDARD OF HYGIENE

X-Mind intraoral X-ray systems are **easy to keep clean** and can be disinfected in compliance with the strictest demands of asepsis in dental practice

# ADAPTABLE CONFIGURATIONS FOR EVERY

## FLEXIBLE INSTALLATION ALTERNATIVES FOR YOUR PRACTICE



Bottom mounted



Top mounted



Mobile Version

# RY REQUIREMENT

The X-Mind® generators can accommodate any operatory configuration.  
3 arm lengths are available : 41 cm (16.2"), 82.5 cm (32.5") and 110 cm (43.5") and can be:

- Top wall mounted
- Bottom wall mounted

Dental unit, ceiling and mobile version are also available.

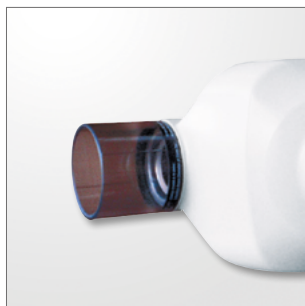
*With its adaptable wall plate, it is easy to replace an older generator with the X-Mind® without having to do additional drilling on the wall.*



## CHOOSE FROM A VARIETY OF CONES TO BETTER FIT TO YOUR CLINICAL NEEDS



**Long cone** (31 cm - 12")  
Recommended for the parallel technique



**Short cone** (20 cm - 8")  
Recommended for bisector technique



**Rectangular Long cone** (31 cm - 12")  
Reduces the X-rays applied to the patient's skin by 50%.

# TECHNICAL SPECIFICATIONS

X MIND AC

X MIND DC

<b>Classification</b>	Electromedical equipment, Class 1 type B	
<b>Supply voltage</b>	115/220/230 V - monophase 50/60Hz	115/230 V - 50/60Hz
<b>Power absorption at 230 V</b>	0.8 kVA	1.4 kVA
<b>X-ray tube voltage</b>	70 kV	60-70 kV
<b>Anode current</b>	8 mA	4-8mA
<b>Focal spot</b>	0.7 mm	
<b>Total filtration</b>	Equivalent to 2 mm Al at 70 kV	
<b>Leakage radiation</b>	< 0.25 mGy/h	
<b>Technology</b>	AC	DC
<b>Timer</b>	from 0.08 to 3.2 seconds	from 0.02 to 3.2 seconds
<b>Weight of the head</b>	9 kg	5.5 kg
<b>Total weight</b>	28 kg	25 kg

## Cones

- Circular Long cone  $\varnothing$  60 mm ..... 31 cm (12")
- Circular short cone  $\varnothing$  60 mm.....20 cm (8")
- Rectangular Long cone 45 x 36 mm..... 31 cm (12")

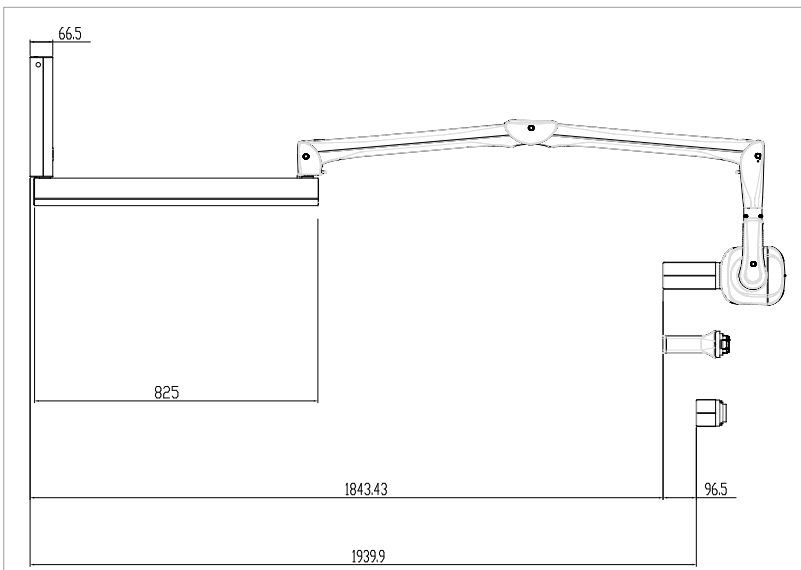
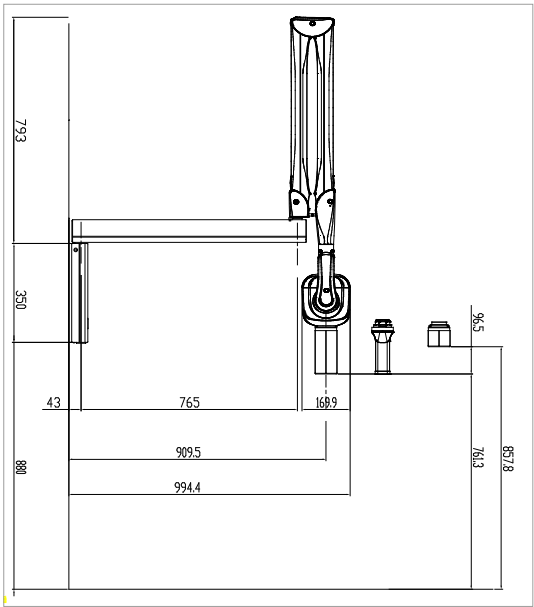
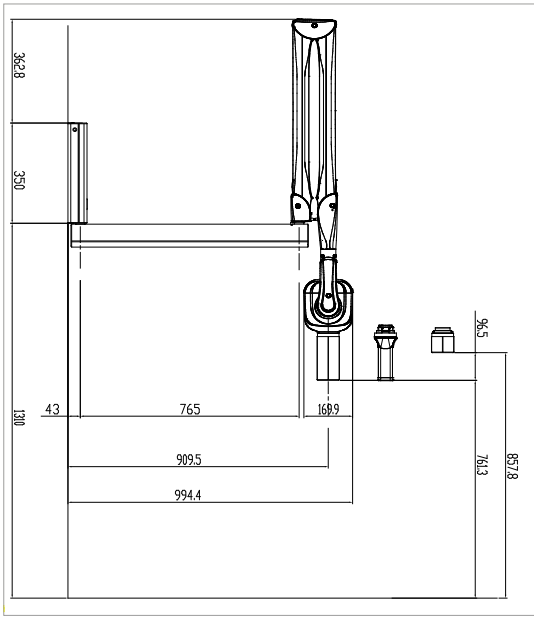
## Arms

- Wall mounting arms .....41 cm or 82.5 cm or 110 cm
- Ceiling arm..... Faro  $\varnothing$  35 mm - length 170 cm or 130 cm
- Unit arm .....Ref. Faro  $\varnothing$  60 mm or  $\varnothing$  50 mm
- Mobile.....Height 110 cm, length 80cm, width 70 cm

## Accessories

- Second control button with remote exposure switch
- RX indicator light for external use
- Adaptable mounting wall plate





The medical devices X-Mind AC/DC is of class IIb and manufactured by DE GOTZEN (Italy), a company of ACTEON Group, notified body IMQ - CE 0051. These medical devices are not refunded by health insurance organizations. Read carefully the instructions on the labelling before use. Manufactured in compliance with currently applicable regulations and standards (EC Directive 93/42/EEC and sub-segment amendment). IEC 60601-2-65 imposes for each X-ray generator furnished with a digital sensor to use a square cone. X-Mind® is registered trademarks of DE GÖTZEN.

# NOTES

.....

.....

.....

.....

.....

.....

.....

.....

.....

.....

.....

.....



[www.acteongroup.com](http://www.acteongroup.com)

For more information, please contact:

SOPRO S.A. | A company of ACTEON Group  
ZAC Athélia IV | Avenue des Genévriers | 13705 LA CIOTAT cedex | FRANCE  
Tél + 33 (0) 442 98 01 01 | Fax + 33 (0) 442 71 76 90  
E-mail: [info@sopro.acteongroup.com](mailto:info@sopro.acteongroup.com) | [www.acteongroup.com](http://www.acteongroup.com)

