

Instructions for Use

A-dec 311 and 411 Dental Chairs

Copyright

© 2015 A-dec Inc. All rights reserved.

A-dec Inc. makes no warranty of any kind with regard to this material, including, but not limited to, the implied warranties of merchantability and fitness for a particular purpose. A-dec Inc. shall not be held liable for any errors contained herein or any consequential or other damages concerning the furnishing, performance or use of this material. The information in this document is subject to change without notice. If you find any problems in the documentation, please report them to us in writing. A-dec Inc. does not warrant that this document is error-free.

No part of this document may be copied, reproduced, altered, or transmitted in any form or by any means, electronic or mechanical, including photocopying, recording, or by any information storage and retrieval system, without prior written permission from A-dec Inc.

Trademarks and Additional Intellectual Property Rights

A-dec, the A-dec logo, A-dec 500, A-dec 300, Cascade, Cascade Master Series, Century Plus, Continental, Decade, ICX, ICV, Performer, Preference, Preference Collection, Preference ICC, and Radius are trademarks of A-dec Inc. and are registered in the United States and other countries. A-dec 400, A-dec 200, Preference Slimline, and reliablecreativesolutions are also trademarks of A-dec Inc. None of the trademarks or trade names in this document may be reproduced, copied, or manipulated in any manner without the express, written approval of the trademark owner.

Certain touchpad symbols are proprietary to A-dec Inc. Any use of these symbols, in whole or in part, without the express written consent of A-dec Inc., is strictly prohibited.

Regulatory Information

Regulatory information mandated by agency requirements is provided in the *Regulatory Information, Specifications, and Warranty* document (p/n 86.0221.00), which is available in the Document Library at www.a-dec.com.

Product Service

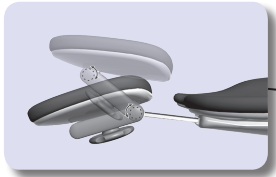
Product service is available through your local authorized A-dec dealer. For service information, or to locate an authorized dealer, contact A-dec at 1.800.547.1883 in the USA and Canada or 1.503.538.7478 worldwide, or visit www.a-dec.com.

Product Models and Versions Covered in This Document

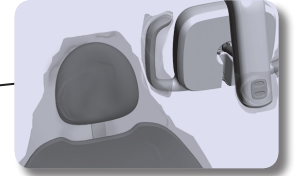
Model	Versions	Description
311	B	Dental Chair
411	A	Dental Chair

Content Map

Headrest6



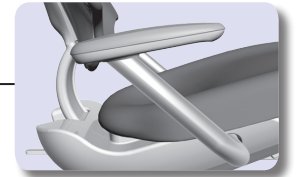
Barriers 10



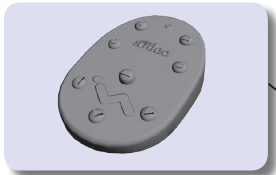
Swivel Brake9



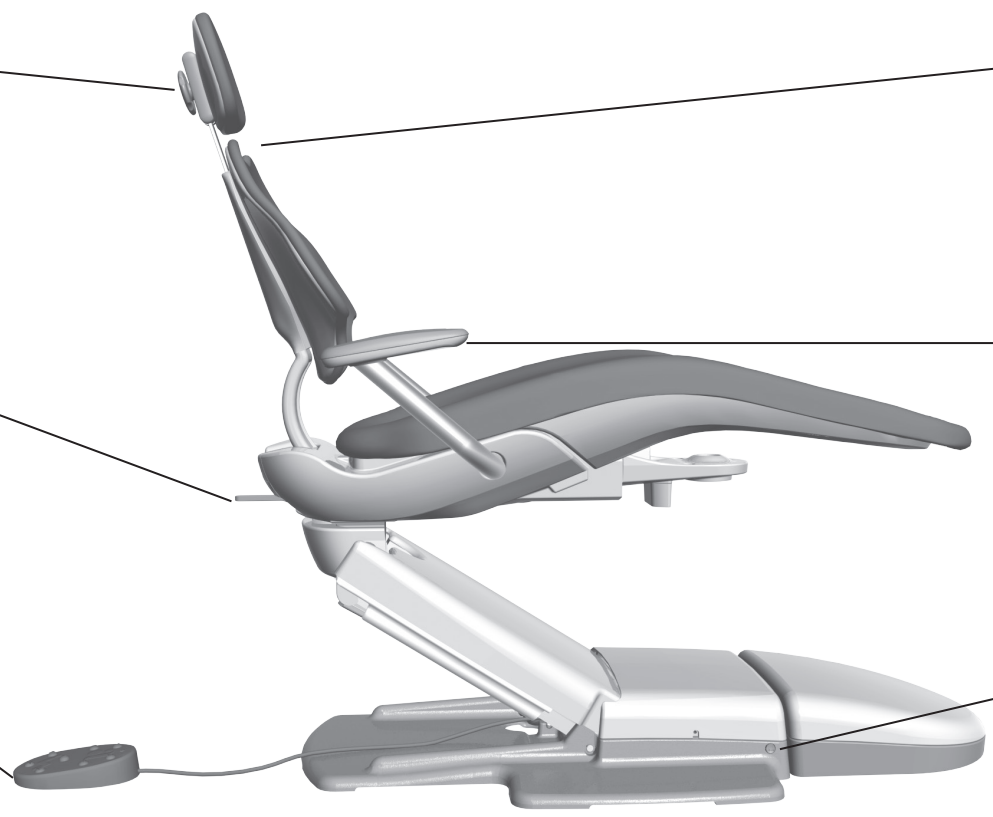
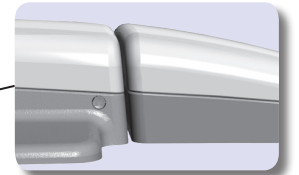
Armrest8



Chair Controls4



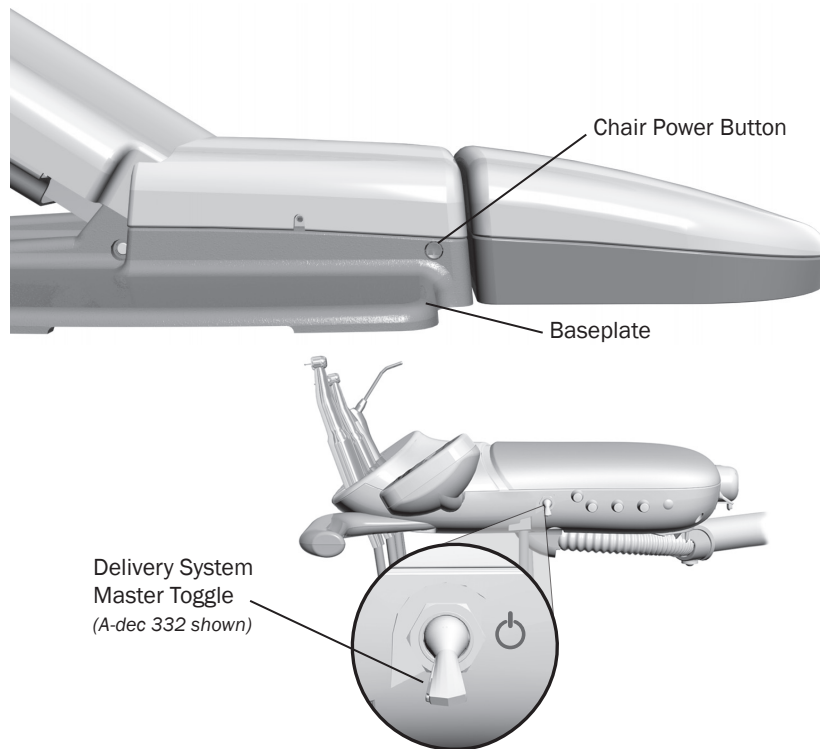
Power Button2



Operate / Adjust	2
Clean / Maintain.....	10
Specifications and Warranty.....	12

Operate / Adjust

Power On/Off



Chair-Only Configurations

If you have a chair-only configuration, press the chair power button to turn the power on or off.

Chairs with Delivery and Support Systems

If you have a chair with an attached system, use the master toggle to turn on the power, water, and air. The master toggle is normally located on the delivery system, but may instead be located on the support center or floor box on chairs without a delivery system.

If there is no power to the system, verify that the chair power button is pushed in. The chair power must be on in order for the master toggle to control system power.

When to Turn Off the Power

To save energy, turn off the power at the end of the work day and during longer periods of non-use.

Power On/Off *(continued)*



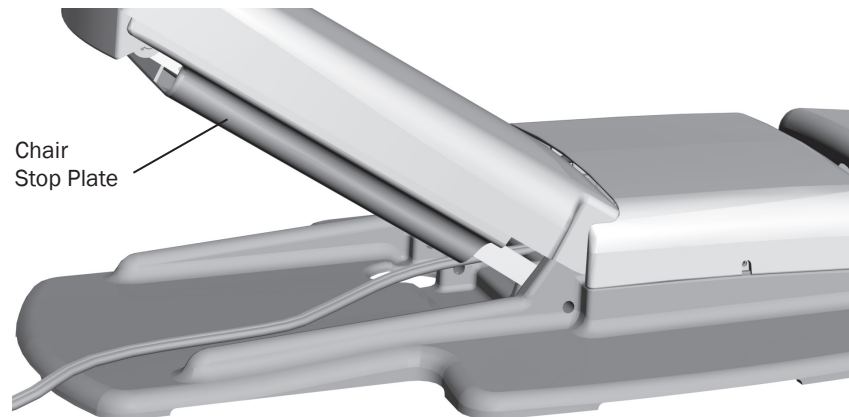
Touchpads and the Status Light

The A-dec logo on the touchpad illuminates when the system is on and ready for use. If the status light blinks, it may indicate that a safety feature has interrupted chair motion. See “Chair Safety Features” for more information.



For complete details on touchpad functionality, please see your delivery system Instructions for Use.

Chair Safety Features



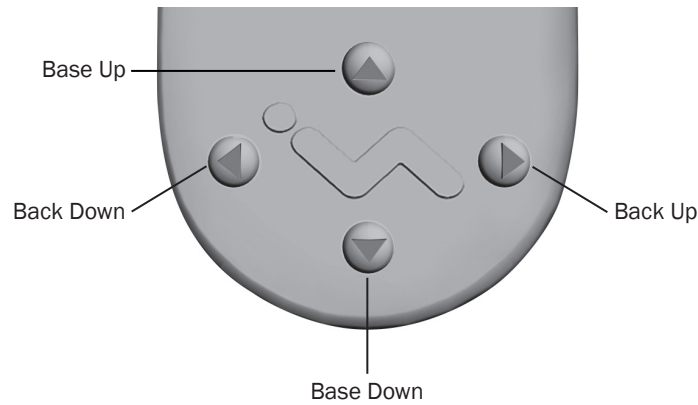
A-dec dental chairs and systems include several features designed to improve safety. Activated stop switches may halt the chair or prevent it from moving. To help ensure uninterrupted chair motion:

- remove any potential obstructions under the chair and attached modules
- avoid pressing the foot control disc or lever
- keep handpieces properly seated in their holders

If the Chair Stops Unexpectedly

Check the actions listed above to correct the condition. If the downward movement of the chair stopped because of an obstruction, use the touchpad or footswitch to raise the chair and remove the obstruction.

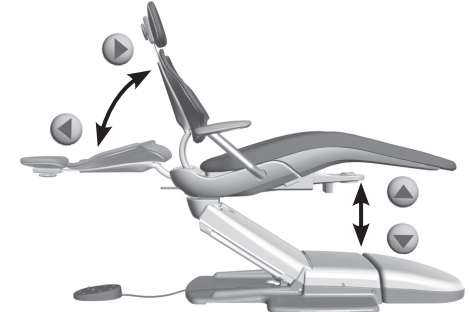
Chair Controls



The A-dec touchpad and footswitch control chair movement in the same way. See your delivery system Instructions for Use for detailed information about your touchpad controls.

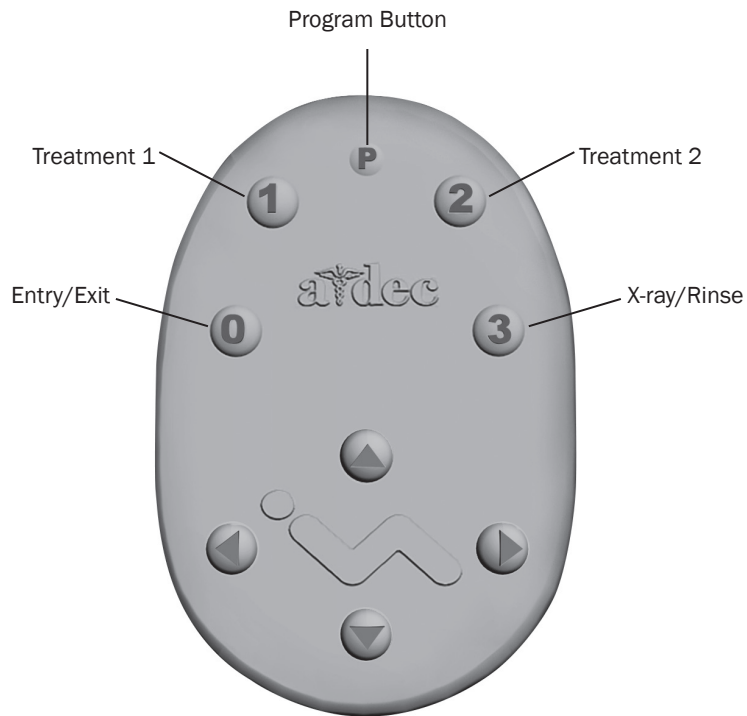
Footswitch Manual Controls

Press and hold an arrow button until the chair is in the desired position. The horizontal arrows raise and lower the chair back. The vertical arrows raise and lower the chair base.



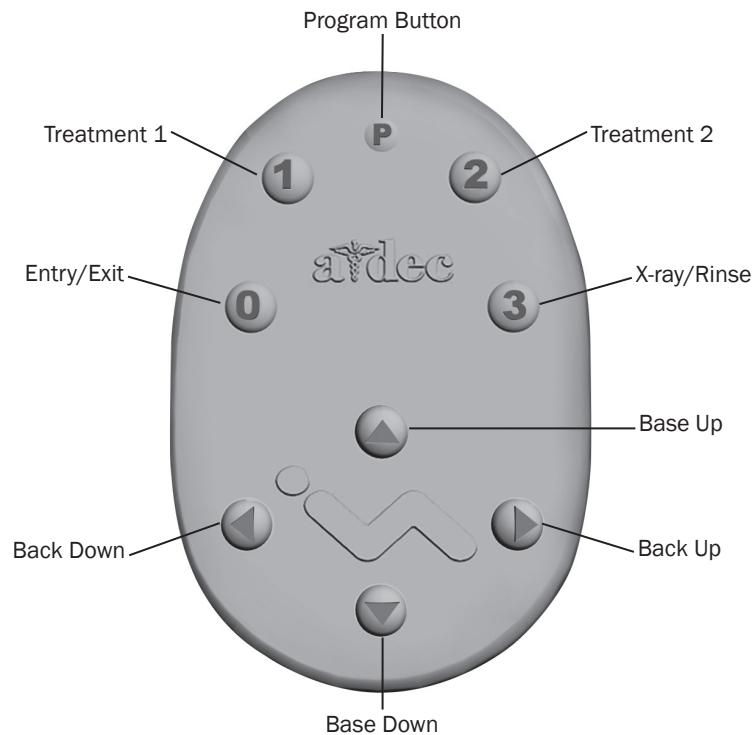
Footswitch Programmable Controls

Press and release a programmable button to move the chair to a preset position. These buttons are programmed at the factory as follows:



Icon	Position	Factory Setting
0	Entry/Exit	Positions the chair for patient entry/exit.
1	Treatment 1	Positions the chair base and back down.
2	Treatment 2	Positions the chair base down and back up.
3	X-ray/Rinse	Moves the chair to either x-ray or rinse position. Press again to move the chair to the previous position.

Chair Controls (continued)



WARNING Ensure that the patient is positioned safely before using the manual or programmable chair controls. Never leave the patient unattended while the chair is in motion. Always take extra care with small children and patients with limited mobility.

To stop the chair at any point during programmed movement, push any chair positioning button on the footswitch or touchpad.

Reprogram Buttons 0, 1, and 2

To change the factory preset chair positions assigned to the entry/exit and treatment buttons (0, 1, 2):

1. Use the manual controls to position the chair as desired.
2. Press and release **P**. One beep indicates that the programming mode is on.
3. Within five seconds, press the chair position button you wish to reprogram (for example, press 1). Three beeps confirm that the new setting is programmed into memory.

Reprogram X-Ray/Rinse Button

The x-ray/rinse button (3) is preset to move the chair and patient into an upright position for x-rays or cuspidor access. A second press of 3 returns the chair to the previous position.

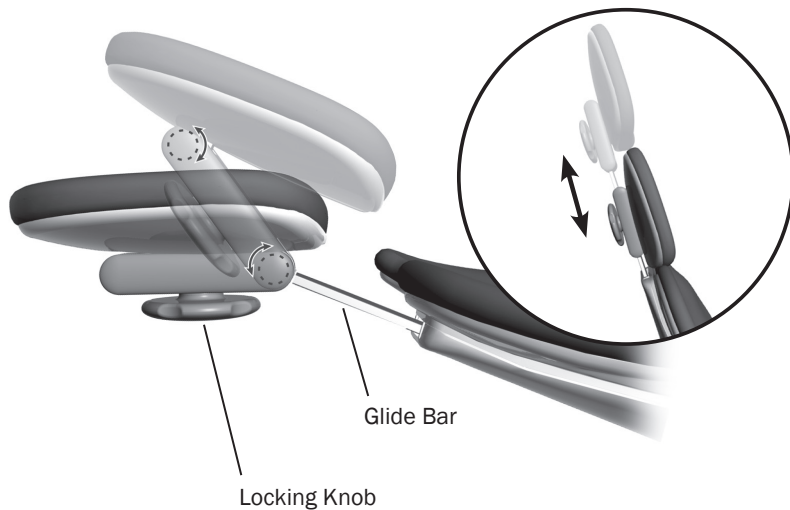
You can reprogram 3 to function in a similar way to the other programmable chair preset buttons. To change its function:

1. Press and hold **P** and 3 at the same time for three seconds.
 - One beep indicates 3 is set as another programmable chair preset button.
 - Three beeps confirm that 3 is configured as the x-ray/rinse factory preset (which toggles between the x-ray/rinse and the previous chair position).
2. If you reprogram 3 as another programmable button and want to assign a different chair position, follow the steps outlined in "Reprogram Buttons 0, 1, and 2" above.

Base Down Speed

The base down speed of the chair can be reduced. Contact your authorized A-dec dealer to reduce the base down speed.

Dual-Articulating Headrest



The dual-articulating headrest includes several adjustment features that improve your access to the oral cavity and increase patient comfort.

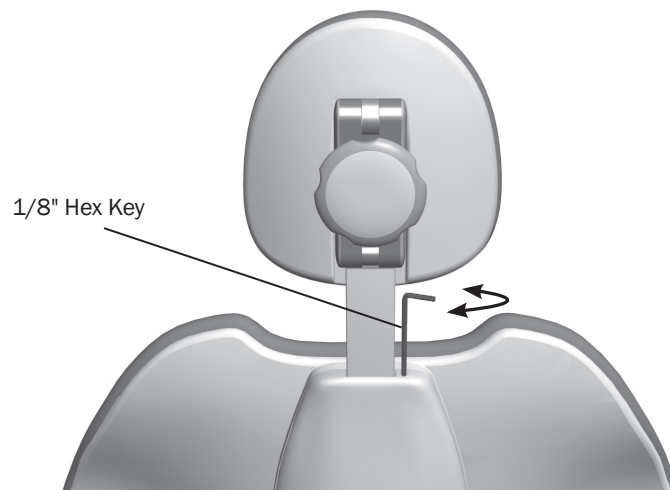
Use the glide bar to accommodate a variety of patient heights. Simply pull up or push down on the headrest until it is in the desired position. The gliding headrest cushion provides additional height adjustment.



WARNING If the glide bar has exceeded its maximum recommended working height, a warning line will be visible on the patient's side of the glide bar. Do not use the headrest in a position where this warning line is visible.

The locking knob allows you to easily adjust the headrest for a full range of positions. Release the headrest by turning the locking knob counterclockwise, then adjust the headrest for a proper fit. Lock the headrest in the desired position by turning the knob clockwise.

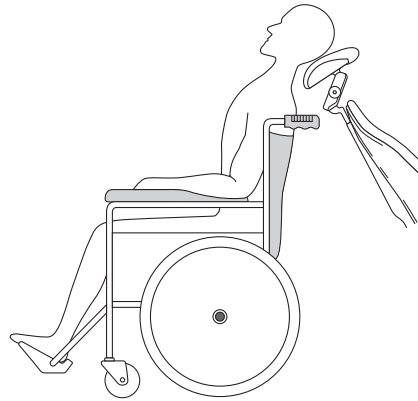
Headrest Glide Bar Tension



If the headrest drifts downward, or if it is difficult to move up or down, the glide bar tension needs adjustment.

To adjust the tension, use a 1/8" hex key. Turn the tension adjustment screw clockwise to increase friction or counterclockwise to decrease friction.

Headrest Position for Wheelchairs



To position the headrest for wheelchairs:

1. Remove the headrest from the dental chair.
2. Rotate the headrest 180° and slide the glide bar into the backrest until it stops.
3. Swivel the dental chair, if necessary, and position the backrest to its full upright position.
4. Position the wheelchair and the dental chair back to back.
5. Move the dental chair up or down, as needed, to adjust the headrest height.
6. Lock the wheelchair wheels.

Patient Positioning



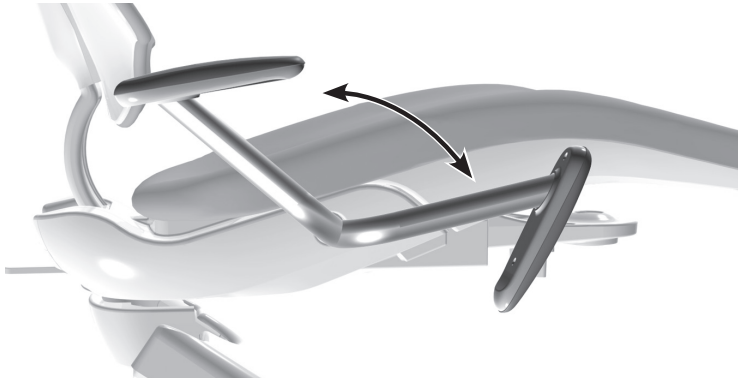
To properly seat patients in the chair, ask the patient to sit as far back in the seat pocket as possible. This ensures the best alignment with the lumbar support and headrest.

For optimal comfort, patients should place their forearms on the armrests or keep their arms comfortably folded on their lap.



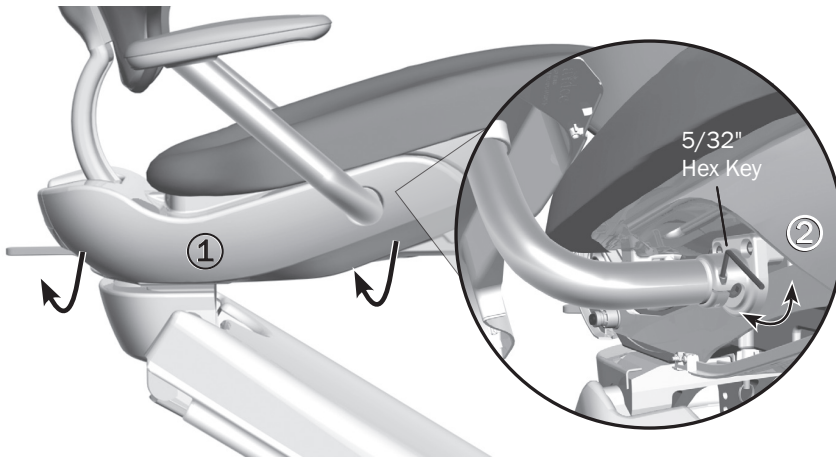
WARNING Do not allow patients to drop their arms behind the armrests or under the backrest during chair movement.

Two-Position Armrests



You can move the armrests out of the way to allow for easy patient entry/exit and to improve operator access when working direct. Push or pull to reposition the armrests in the forward or back position.

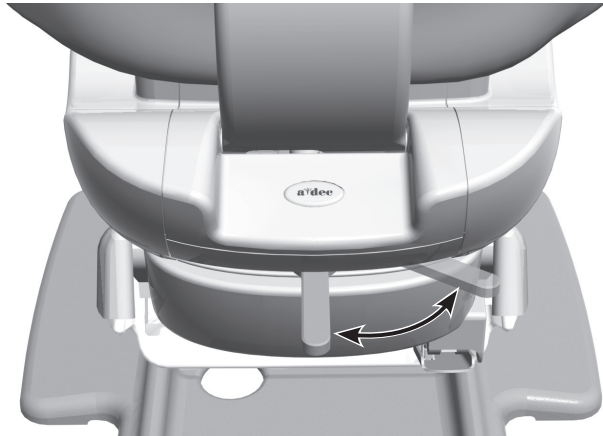
Armrest Rotation Tension



If the armrests become loose or are difficult to move, you can adjust the rotation tension. To adjust each armrest:

1. Remove the chair side cover by pulling on the left and lower right sides of the cover. Pull the cover out of the way to access the adjustment screw.
2. Use a 5/32" hex key and turn clockwise to tighten or counterclockwise to loosen the armrest tension. Only a small adjustment is needed to significantly increase or decrease tension.

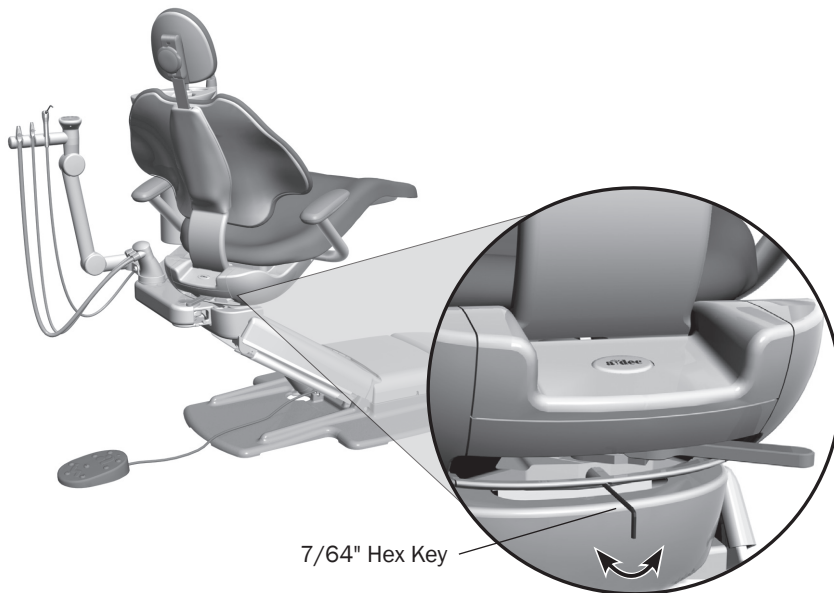
Chair Swivel Brake



Chairs that swivel can rotate to any position within 30° either side of center. The chair swivel brake restricts rotation of the chair to keep the chair from moving during a procedure.

To release the swivel brake, pull the brake lever to the right. To engage the brake, pull the brake lever firmly to the left.

Chair Swivel Brake Tension

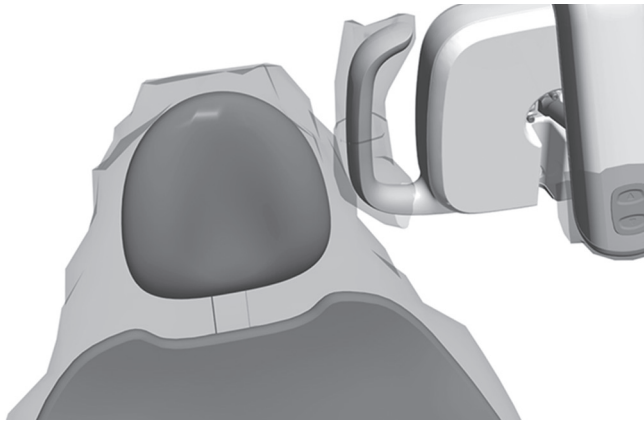


If the chair swivels left or right with the brake engaged, or is difficult to move with the brake disengaged, adjust the swivel brake tension. Properly tensioned, the brake handle should be in the middle when it is fully engaged. To make the adjustment:

1. Move the brake handle to the right.
2. If the chair includes a back mount module, swivel the chair to access the adjustment screw.
3. Use a 7/64" hex key and turn the tension adjustment screw clockwise to increase brake friction or counterclockwise to decrease brake friction. Only a small adjustment is needed to significantly increase or decrease tension.

Clean / Maintain

Barrier Protection



NOTE For proper use and disposal of barriers, see the instructions provided by the barrier manufacturer.

A-dec recommends barrier protection for all applicable touch and transfer surfaces. Touch surfaces are areas that come into contact with hands and become potential cross-contamination points during dental procedures. Transfer surfaces are areas that come into contact with instruments and other inanimate objects.

In the USA, barriers must be produced under the Current Good Manufacturing Practice (CGMP) as specified by the U.S. Food and Drug Administration (USFDA). For regions outside the USA, refer to the medical device regulations specific to your location.



IMPORTANT For recommendations on cleaning and chemical disinfection of touch and transfer surfaces (where barrier protection is not applicable or when barriers are compromised), please see the *A-dec Equipment Asepsis Guide* (p/n 85.0696.00).

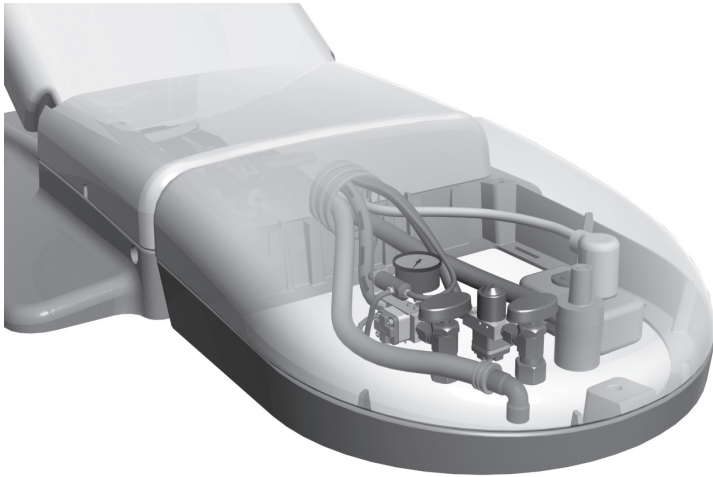
Upholstery



CAUTION Do not use household bleach (sodium hypochlorite) or other products containing chlorine, isopropyl alcohol (greater than 25 percent by volume), or hydrogen peroxide to clean or disinfect the upholstery. It can cause rapid deterioration and damage the product.

To preserve the quality of your A-dec upholstery, use barrier covers instead of relying on chemicals. Barriers significantly extend the life of the upholstery and will help to preserve its luxurious look and soft feel. To clean the upholstery, use a solution of mild detergent and water. Use surface disinfectants only when the barriers have been compromised or there is visible spatter on the upholstery. See the *A-dec Equipment Asepsis Guide* for more information.

Utilities



The utilities for A-dec chair-mounted delivery systems are located in the contoured floor box under your chair. To maintain these utilities, see your system Instructions for Use. If you have a chair-only configuration, you may still have a floor box that hides the power cord and outlet. For access, lift the cover up and off the floor box frame.



CAUTION When removing or replacing covers, take care not to damage any wiring or tubing. Verify that the covers are secure after replacing them.

Specifications



Maximum Chair Capacity

Patient Load: 400 lb (181 kg)



IMPORTANT For chair accessory load capacity, electrical specifications, identification of symbols, and other regulatory requirements, see the *Regulatory Information, Specifications, and Warranty* document (p/n 86.0221.00), which is available in the Document Library at www.a-dec.com.



NOTE Specifications are subject to change without notice. Requirements may vary depending on your location. For more information, contact your authorized A-dec dealer.

Warranty

Warranty information is provided in the *Regulatory Information, Specifications, and Warranty* document (p/n 86.0221.00), which is available in the Document Library at www.a-dec.com.



A-dec Headquarters

2601 Crestview Drive
Newberg, Oregon 97132
United States
Tel: 1.800.547.1883 within USA/CAN
Tel: +1.503.538.7478 outside USA/CAN
Fax: 1.503.538.0276
www.a-dec.com

A-dec Australia

Unit 8
5-9 Ricketty Street
Mascot, NSW 2020
Australia
Tel: 1.800.225.010 within AUS
Tel: +61.(0).2.8332.4000 outside AUS

A-dec China

A-dec (Hangzhou) Dental Equipment Co., Ltd.
528 Shunfeng Road
Qianjiang Economic Development Zone
Hangzhou 311106
Zhejiang, China
Tel: +1.503.538.7478

A-dec United Kingdom

EU Authorized Representative
Austin House, 11 Liberty Way
Nuneaton, Warwickshire CV11 6RZ
England
Tel: 0800.ADEC.UK (2332.85) within UK
Tel: +44.(0).24.7635.0901 outside UK



86.0546.00 Rev A
Copyright 2015 A-dec Inc.
All rights reserved.